

100%  
OZONE  
FREE

*RADIC*  
PRODUCT BROCHURE



WWW.RADIC8.COM.au

100%  
OZONE  
FREE

*We care about air* ❤️



We care about air! As such we have developed the best range of air purification and sterilisation technologies to keep the air that people breathe free from pollutants.

We also realise the importance of oxygen to a healthy lifestyle and have created some amazing new products within the oxygen concentrator sector.

Finally, we love to play with air flow and have some very exciting new products in the pipeline.





100%  
OZONE  
FREE

## Hextio | Air Purification x 10

NEW for 2017! hextio uses ultimate reflection and refraction within the reactor chamber to enhance its efficiency by 10 times. The most compact, stylish, fully automatic, super efficient and cost effective air purifier and steriliser for all home and work environments.



### FILTER

- Carbon Filter Unit
- Nano Photo-Catalyst Surface Coating

### REFLECTOR CASING

- Mirrored Aluminium For Maximum Reflection

### STERILIZATION REACTOR CELL

- Super UVC Lamp For Sterilisation
- Mirrored Reflection Coating
- 9 x TiO<sub>2</sub> Hexagon Tube Filters
- Nano Coated Photo-Catalyst Surface Generates -OH radicals To Decompose VOC's/GAS/ODOUR Continually

### VENTILATION

- BLDC Sirocco Fan

### SENSOR AND ALARM

- Dust / Germ / VOC Sensor
- Alarm LED Display

### CONTROL

- IR Remote Control
- Automatic Control



hextio and the additional Fragrance Filter is a new and unique proposition within the compact air purification sector. Unlike any mechanical air purifiers such as HEPA filters, hextio is super efficient against all respiratory viruses and bacteria which means that it is perfectly placed in any areas where airborne cross contamination is a concern, generally this is anywhere that people gather. Purchasing hextio for the home or work environment will give great protection against the dangerous pollutants which build up in modern buildings and are causing such a world wide health problem.

### NATURAL FRAGRANCE FILTER



- ▶ 100% Natural Dried Lavender
- ▶ Releases Subtle Aroma
- ▶ Relaxant & Helps Sleep
- ▶ Antiseptic / Antibacterial / Antimicrobial / Nursing
- ▶ Long Life - 6 Months Until Change
- ▶ Low Maintenance





100%  
OZONE  
FREE

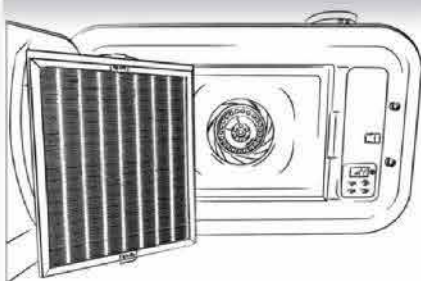
## VIRUSKILLER® VK BLUE

RADIC 8

The VK blue is a the perfect air purifier and steriliser for medium to large rooms. Combining pre filter, hepa filter, activated carbon and the reactor cell of 8 super UVC lamps with 40 Tio2 hexagon filters makes it the ultimate solution for spaces up to 60 square meters.



The Radic8 VK Blue is a great air purifier and steriliser for people to use in many environments such as the home, schools & nurseries, hospitals & health centres, public & government buildings etc. It provides a very high sterilisation rate against bacteria, viruses and gases including NO2 from traffic pollution and formaldehyde from furnishings. It is small for a powerful unit and easily fits on the wall making it ideal to put out of the way in public and commercial areas.

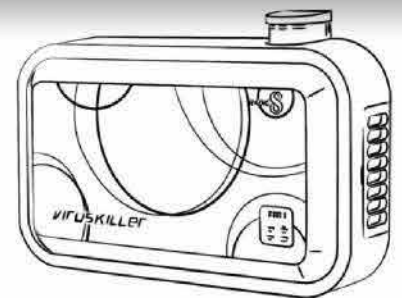


### Stage 1

Pre filter + Hepa filter  
to filter out particulates

### Stage 2

8 UV lights plus 40  
Titanium dioxide nano  
coated filter tubes  
filled with activated  
carbon to sterilise all  
other air pollutants.



### Stage 3

Activated Carbon Filters  
for final air polishing.



100%  
OZONE  
FREE

## VIRUSKILLER VK 002

The VK 002 is the best high end air purifier on the market, combining a series of mechanical filters including a 50mm nano silver HEPA, a powerful scirocco fan and the patented VK Sterilisation reactor cell.



### DISPLAY AND MONITORING

- Display and Monitoring
- 4 Way Wind Direction
- 16ea LED Display

### SILENCER

- Noise Cancelling Silencer For Whisper Quiet Operation

### REACTOR CELL

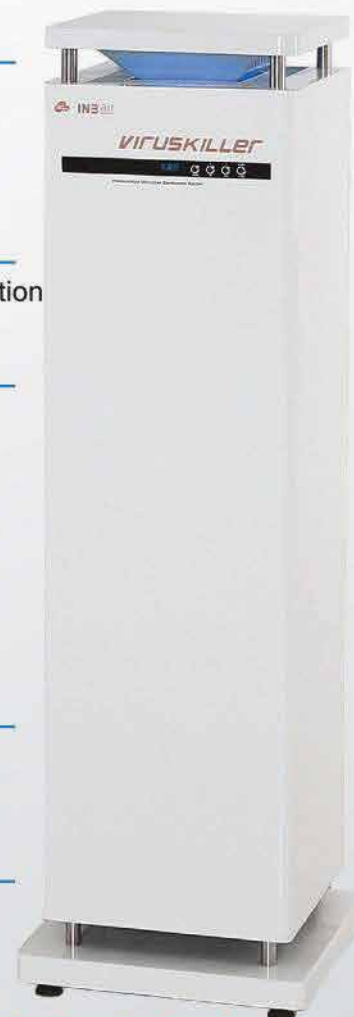
- 16 Super UVC Lamps
- Mirrored Coating For Ultimate Reflection
- 72 TiO2 nano Tube Filters For Generating
- OH Radical (world's strongest oxidant)
- Loose Activated Carbon Inside Tube Filters Absorbs Odours And Pollutants Allowing PCO to Decompose

### VENTILATION

- Double Inlet Sirocco Fan
- S Pressure 42mmAq

### COMPLEX FILTERS

- Pre Filter
- Carbon Filter
- HEPA Filter



We are constantly discovering the actual scale of the the health risks associated with air pollution and we know that globally it is our single biggest environmental health threat, linked to all top 5 leading causes of death. The team at Radic8 are proud to be partnered with INBair and together we are a



stronger force at creating the best solutions for indoor air pollution, constantly striving to offer the best life saving technology available. The 50mm Hepa and the 25mm medium filters in the VK 002 now have the option of being nano silver coated in order to give them sterilisation properties at the front end and we have also recently upgraded the scirocco fan to ensure maximum air flow. The next upgrade for this model is a sensor network that will monitor and display indoor air quality, giving greater control and automatic functions



100%  
OZONE  
FREE

VIRUSKILLER  
VK 102



The Radic8 VK 102 is the perfect air purifier plus steriliser for all large open plan spaces as it has an impressive 165 square meter range

The VK 102 is a powerful tool for advertising as well as efficient air purification and sterilisation.

With its striking and stylish looks, it stimulates curiosity and opens a dialogue between businesses and their customers. In environments that are known to be an infection risk, advertising clean and safe air is a very positive message. Imagine a nursery that can guarantee a germ free environment and helps prevent children spreading coughs and colds, and from bringing them home.

A doctors surgery or retirement home that actively protects the vulnerable people in its care. The VK 102 has recently been upgraded to include a more powerful Scirocco fan and the option of nano silver-coated filters. The next upgrade, coming soon, will be the inclusion of a sensor network to monitor and display indoor air quality.



100%  
OZONE  
FREE

**VIRUSKILLER**  
VK MEDI

The VK Medi range of air purifiers plus sterilisers are the best in the world. Utilising the world's thickest HEPA filter for ultra fine dust removal, the most powerful turbo fan found in any air purification device for optimum air flow and the unparalleled patented VK reactor chamber for ultimate sterilisation



The three factors to get right within an air purifier and steriliser are: Ultra fine particle collection, maximum airflow and optimum sterilisation. We created the VK Medi range with those three factors in mind and we are proud to say that we have industry leading results with all three factors. The combination makes the VK Medi range the very best solution on the market and is suitable for many market sectors.

Multiple Sensors Control IAQ

World's Thickest Hepa

Most Powerful Turbo Fan

Patented VK Sterilisation Ce

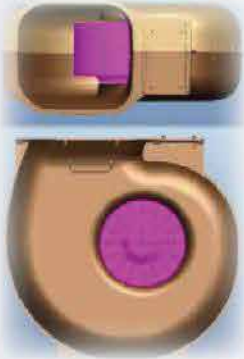




100%  
OZONE  
FREE

**IRUSKILLER®  
VK MEDI XL**

The VK Medi XL has also been specially designed to allow for a ducting attachment to the back of the unit, creating a positive pressure environment, or a ducting attachment to the top of the unit to create a negative pressure environment.



There is turbo blower.



There is sterilisation module  
UVC Bulb (16 EA)  
Nano Tube Filter(110 EA)  
Active Carbon  
Tube Filter



There are 4 filters.  
HEPA filter (150mm)  
MEDIUM filter (75 mm)  
CARBON filter (30 mm)  
PRE-Filter (washable)

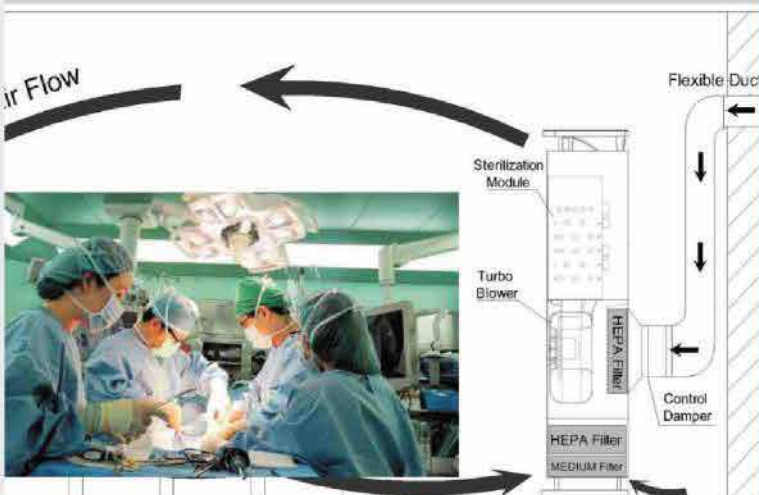


**The part for positive pressure**  
There are many holes on the back side of the product. It is the part for positive pressure. You can connect duct this part and extend the duct to the wall.  
(Adjust bolts can be added for the connection with duct)

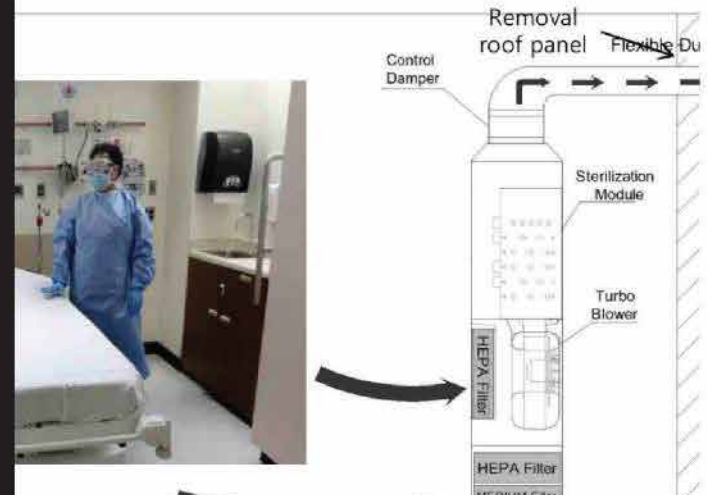


There are 3 filters.  
HEPA filter (75 mm)  
CARBON filter (30 mm)  
PRE-filter (washable)

**Positive Pressure Environment**



**Negative Pressure Environment**





The Radic8 Airwasher is a total indoor air quality solution, capable of removing suspended particle matter like harmful gases and odour as well as reducing CO2 by using fine water particles. Viruses and Bacteria are destroyed when the air passes through the VK reactor chamber and the air washer is also an all in one humidifier and air conditioner (hot & cold).

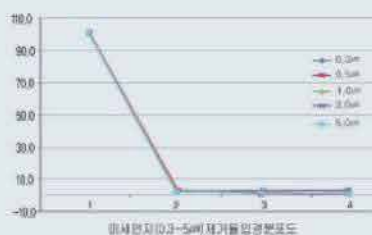


The Radic8 Airwasher is not to be confused with general air spray technologies on the market that are designed to combat specific pollutants, not create total indoor air quality. The super performance of the air washer is based on the units ability to detect and react to all of the factors that create indoor air quality. Stage one is the two water spray nozzles to remove fine dust and harmful gas, stage 2 is the eight super UVC lamps to remove bacteria and viruses, stage 3 are the large water filters and stage four are the final air filters. Purification, sterilisation, humidity and temperature are all controlled via the multiple sensors which means that once the desired levels are set – air washer will give you the indoor air environment you require.



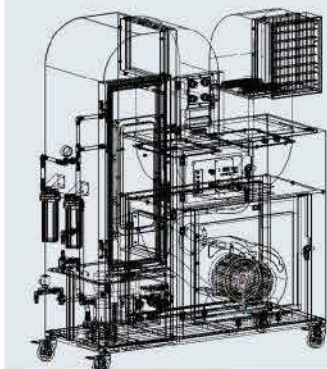
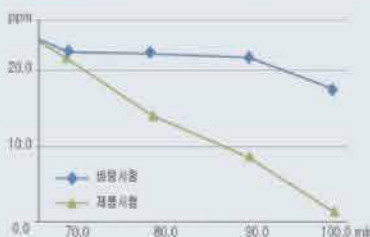
**Fine dust removal efficiency 88,1%**

Test method :  $\beta$  -ray absorption method  
Test result : Turn on After 48 min  $\rightarrow$  98% elimination



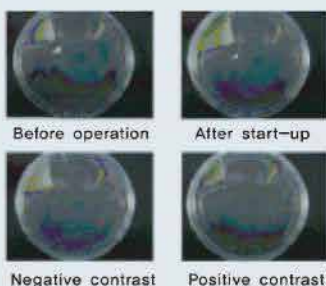
**Deodorization Performance**

Test method : Toluene removal efficiency  
Test result : After 30 min 96% removal



**Bioaerosol removal efficiency 99,8%**

Test Method : Chamber Method (60m<sup>3</sup>)  
Test result : Turning 60 min  $\rightarrow$  99.397% removal



**Air Washer Multistage nozzle**



**1, Spiral Nozzle**  
Stirred for 1 car and large dust and harmful gases, air purification

**2, Full Cone Nozzle**  
Secondary nozzle Remove fine dust and harmful gases

100%  
OZONE  
FREE

IN3air O<sub>2</sub>

Radic8 teamed up with INBair and together we studied the oxygen concentrator market. We did not find anything that excited us so we invented something that did and in doing so re-invented the common oxygen concentrator. Launching in 2017!

### IN3air O<sub>2</sub> FEATURES

Very low power consumption - 28W

Soothing led light

Stylish head set

Portable, can be battery power

Aluminium body

Delivers 1.8 - 2L/min at 40% on all settings

Silicone gel cover brush motor inside

AC power adaptor / Car power adaptor included

Zeolite bed and micro filter inside

30 minutes automatic off switch

Very low noise - 37 DB



### PORTABLE MEDICAL OXYGEN CONCENTRATOR



\$2450

### IN3air O<sub>2</sub> O<sub>2</sub> REINVENTED



#### WHAT MAKES THE INBAIR O2 SO UNIQUE?

- ▷ A HEALTH O<sub>2</sub> CONCENTRATOR NOT MEDICAL
  - ▷ A SUPER STYLISH APPEARANCE
  - ▷ A QUALITY ALUMINIUM CONSTRUCTION
    - ▷ EXTREMELY QUIET OPERATION
- ▷ ACCESSORIES YOU WANT TO BE SEEN WITH
  - ▷ SMALL AND LIGHT WEIGHT
  - ▷ AUTOMATIC 30 MINUTE TIMER
  - ▷ GREAT VALUE FOR MONEY

\$399



100%  
OZONE  
FREE

**VIRUSKILLER®**  
**VK O<sub>2</sub> INT**

Imagine getting an industry leading air purifier and steriliser plus oxygen concentrator for less purchase cost than a standard oxygen concentrator  
..... meet VKO2 INT



Oxygenating for just 30 minutes per day brings lots of health benefits including reduced stress, more energy, better brain function, higher metabolism ... the list goes on. Unfortunately, standard oxygen concentrators are very expensive so many people who would use this amazing natural health product are out priced. The VKO2 INT is the VK 002 or VK 102 unit with a built in oxygen concentrator and the whole unit costs less than a current standard oxygen concentrator



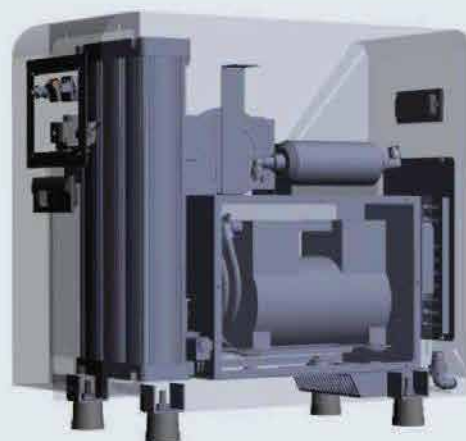
**VIRUSKILLER®**  
**VK O<sub>2</sub> INT**



100%  
OZONE  
FREE

VIFUSKILLER  
VK 02 EXT

The VK02 EXT range consist of a VK 002 or VK 102 unit with a powerful detached oxygen concentrator. The VK02 EXT can be used with a headset and the unique selling point of this model is that it can also increase the oxygen levels within a desired airspace, like having 400 trees indoors!



People are more aware now then ever before about the health risks associated with air pollution and more people are slowly becoming aware of the health benefits associated with oxygen, both markets sectors are projected to grow dramatically in the coming years. Educating people about the benefits of the VK02 EXT is easy and when people are in a purified and oxygenated environment they feel great. Imagine having a restaurant or coffee shop in a big polluted city where you could go and enjoy air like you were sat in a forest or creating a home environment in a city which was as healthy as living in the countryside. You could even create an office environment where the staff could not wait to get to work and breathe the fresh, healthy air ... ..... that is the power of the VK02 EXT.



100%  
OZONE  
FREE

*RADIC*8

AT RADIC8 WE LOVE TO  
INNOVATE WITH AIR AND  
HAVE SOME VERY EXCITING  
**NEW PRODUCTS**  
**COMING SOON**



For more information please e-mail: [support@radic8.com.au](mailto:support@radic8.com.au)

or call: +61 2 82316500

[www.Radic8.com.au](http://www.Radic8.com.au)